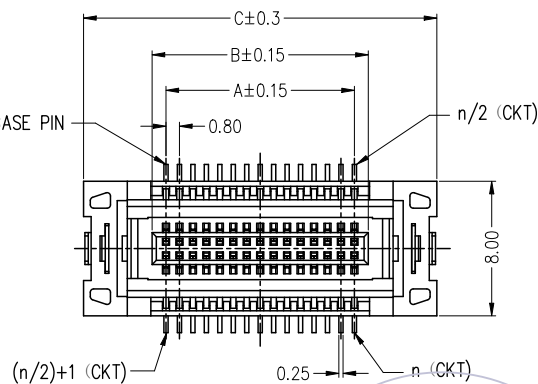
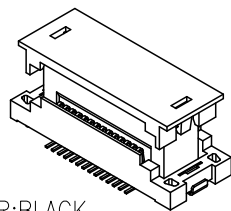


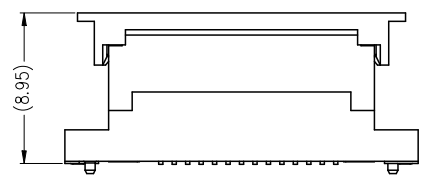
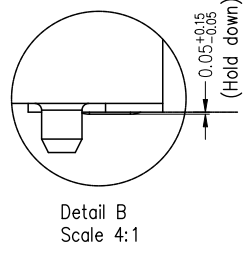
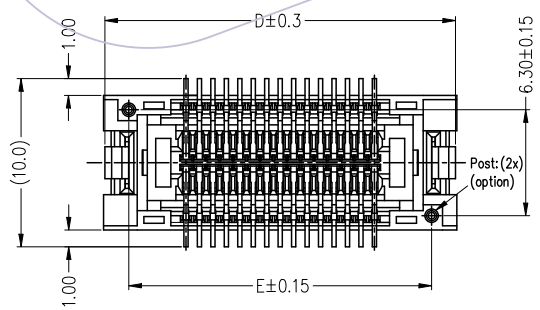
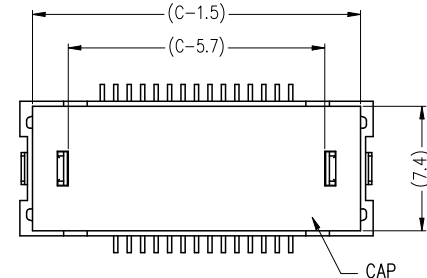
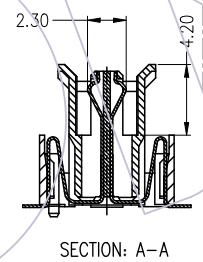
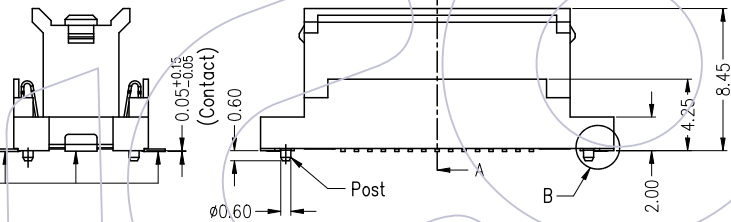
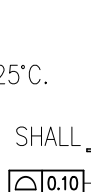
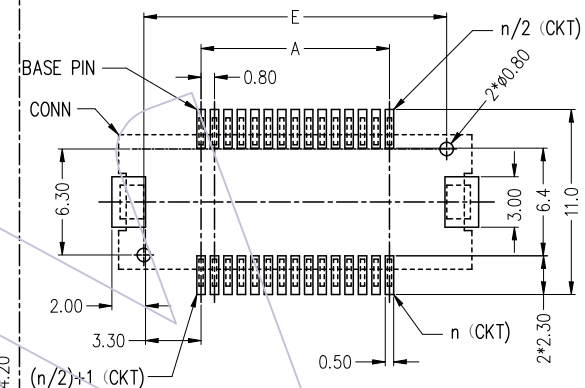
HSF

NOTES:

- 1.MATERIAL SPECIFICATION:
 - 1-1.HOUSING:THERMOPLASTIC,UL94V-0,COLOR:BLACK,
 - 1-2.CONTACT:COPPER ALLOY.
- 2.PLATING SPECIFICATION:
 - 2-1: xxu" gold on contact area (see ordering information)
 - 3u" gold on solder area (ASTM B 488)
 - 80u" nickel underplating overall (ASTM B 733)
- 3.ELECTRICAL PERFORMANCE:
 - 3-1.CURRENT RATING: 0.5A MAX,
 - 3-2.LLCCR:100mΩ MAX,
 - 3-3.WITHSTANDING VOLTAGE:250V AC,
 - 3-4.INSULATION RESISTANCE:100MΩ MIN.
- 4.ENVIRONMENTAL PERFORMANCE:
 - OPERATING TEMPERATURE: -40°C to +125°C.
- 5.RECOMMENDED PROCESS:
 - THE PEAK TEMPERATURE ON THE BOARD SHALL MAINTAIN 10 SECONDS AT 260±5°C.
- 6.RoHS COMPLIANT.



Recommended P.C.B layout(Top side)
(PCB board tolerance±0.05)



Ordering Information

3618-S XXX - 084 M XX R 0X

No.of pins:
030=30pin
120=120pin
(See table 1)

Housing height:
084=8.45mm

TYPE:
M=SMT
S=DIP

W/N post:
01=With post
02=Without post

Packing:
R=Tape&Reel+Cap

Contact plating:
G1=3u" Gold
G2=5u" Gold
G3=10u" Gold
G4=15u" Gold
G5=30u" Gold

REV	DATE	MODIFICATION DESCRIPTION	CHANGE	OPERATION	DRAW	DATE	SCALE	PART NO.
A2	11/24'23	Update Drawing	Dean.Lin	X.X ±0.40	Dean.Lin	11/24'23	1:1	3618-SXXX-084MXXR0X
A1	10/24'23	Update Explanation & Drawing	Dean.Lin	X.XX ±0.25	CHECK	DATE	UNIT	TITLE:
AO	10/20'22	NEW	-	X.XXX ±0.15	APPROVE	DATE	SIZE	0.8mm BTB Female header
				Angle ± 3°			SHEET	SMT type H=8.45mm
				DIM TOL			PROJ.	Customer NO.



Http: www.wcon.com

WCON-Dongguan Tel: +86 769 85358920
WCON-Kunshan Tel: +86 512 57468408
Fax: +86 769 85358915 Fax: +86 512 57468468
E-mail: sales@wcon.com E-mail: sales@wcon.com

HSF

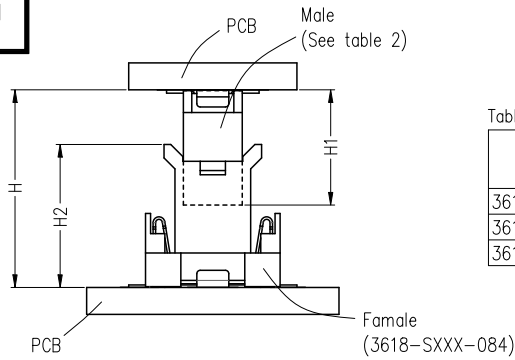


Table 2:

Part No.	ASS'Y height (H)	Male height (H1)	Female height (H2)
3618-PXXX-048MXXRXX	9.75	4.8	8.45
3618-PXXX-068MXXRXX	11.75	6.8	
3618-PXXX-078MXXRXX	12.75	7.8	

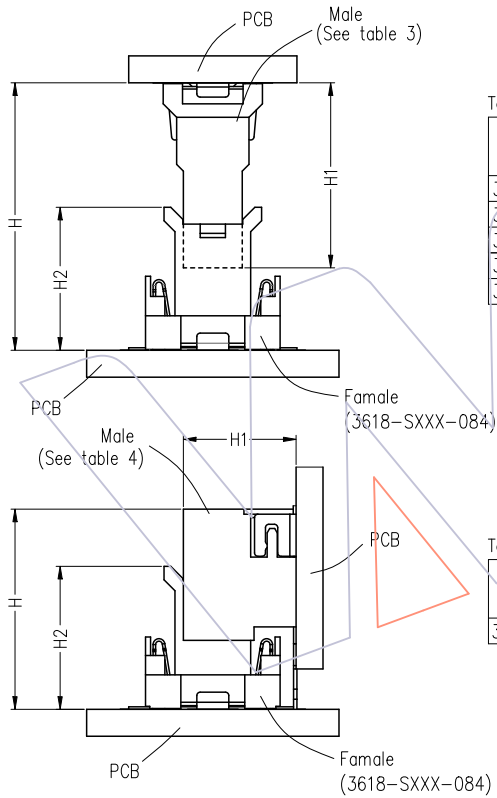
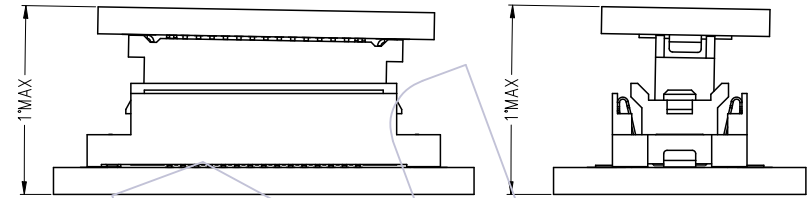


Table 3:

Part No.	ASS'Y height (H)	Male height (H1)	Female height (H2)
3618-PXXX-109MXXRXX	15.9	10.95	8.45
3618-PXXX-130MXXRXX	18.0	13.05	
3618-PXXX-145MXXRXX	19.5	14.55	
3618-PXXX-158MXXRXX	20.75	15.8	
3618-PXXX-197MXXRXX	24.7	19.75	

0.6MAX

0.6MAX

Table 4:

Part No.	ASS'Y height (H)	Male height (H1)	Female height (H2)
3618-PXXX-067MXXRXX	11.85	6.70	8.45

Guiding location

The maximum insertion force is shown in table below:

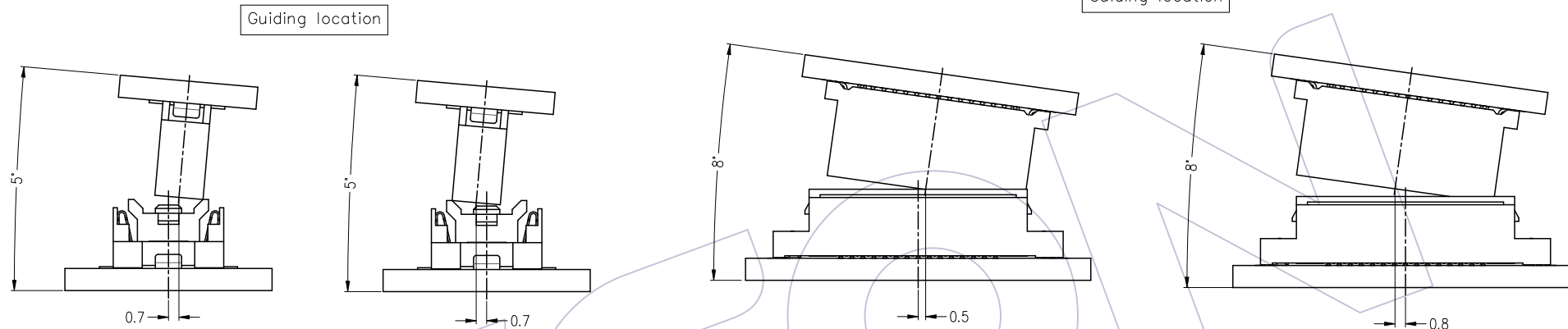
No.of pins:	30	40	50	60	70	80	90	100	110	120
Combination (N)	60	90	120	150	180	210	240	270	300	330

REV	DATE	MODIFICATION DESCRIPTION	CHANGE	OPERATION	DRAW	DATE	SCALE	1:1	PART NO.
A2	11/24'23	Update Drawing	Dean.Lin	X.X ±0.40	Dean.Lin	11/24'23	UNIT	mm	3618-SXXX-084MXXR0X
A1	10/24'23	Update Explanation & Drawing	Dean.Lin	X.XX ±0.25	CHECK	DATE	SIZE	A4	TITLE:
AO	10/20'22	NEW	-	X.XXX ±0.15	APPROVE	DATE	SHEET	2/3	0.8mm BTB Female header SMT type H=8.45mm
				Angle ± 3°			PROJ.	Customer NO.	
				DIM TOL					

WCON
Http: www.wcon.com

WCON-Dongguan Tel: +86 769 85358920
WCON-Kunshan Tel: +86 512 57468408
Fax: +86 769 85358915 Fax: +86 512 57468468
E-mail: sales@wcon.com E-mail: sales@wcon.com

HSF



Allowable offset distance is 0.7mm MAX

Allowable offset distance is 0.5mm MAX

Ordering Information

3618-S XXX - 084 M XX R 0X

No. of pins:
030=30pin
120=120pin
(See table 1)

Housing height:
084=8.45mm

TYPE:
M=SMT
S=DIP

W/N post:
01=With post
02=Without post
Packing:
R=Tape&Reel+Cap
Contact plating:
G1=3u" Gold
G2=5u" Gold
G3=10u" Gold
G4=15u" Gold
G5=30u" Gold

Table 1:

No. of pins:	A	B	C	D	E
30	11.2	12.8	21.0	20.8	18.0
40	15.2	16.8	25.0	24.8	22.0
50	19.2	20.8	29.0	28.8	26.0
60	23.2	24.8	33.0	32.8	30.0
70	27.2	28.8	37.0	36.8	34.0
80	31.2	32.8	41.0	40.8	38.0
90	35.2	36.8	45.0	44.8	42.0
100	39.2	40.8	49.0	48.8	46.0
110	43.2	44.8	53.0	52.8	50.0
120	47.2	48.8	57.0	56.8	54.0

REV	DATE	MODIFICATION DESCRIPTION	CHANGE	OPERATION	DRAW	DATE	SCALE	PART NO.
A1	10/24'23	Update Explanation & Drawing	Dean.Lin	X.X ±0.40	Dean.Lin	10/24'23	1:1	3618-SXXX-084MXXR0X
AO	10/20'22	NEW	-	X.XX ±0.25	CHECK	DATE	UNIT mm	TITLE: 0.8mm BTB Female header SMT type H=8.45mm
				X.XXX ±0.15	APPROVE	DATE	SIZE A4	Customer NO.
				Angle ± 3°			SHEET 3/3	
				DIM TOL			PROJ.	

WCON

Http: www.wcon.com

WCON-Dongguan
Tel: +86 769 85358920
Fax: +86 769 85358915
E-mail: sales@wcon.com

WCON-Kunshan
Tel: +86 512 57468408
Fax: +86 512 57468468
E-mail: sales@wcon.com