

HSF

NOTES:
 Current rating: 0.5AMP
 Voltage rating: 50V
 Contact resistance: 100mΩ Max
 Withstand voltage: 250V AC
 Insulation resistance: 500MΩ Min
 Temperature range: -40°C to +105°C

Contact material: copper alloy
 Contact plating:
 xxu" gold on contact area (see ordering information)

3u" gold on solder area (ASTM B 488)
 80u" nickel underplating overall (ASTM B 733)

Hold-down material: copper alloy
 Hold-down plating:
 80u" tin plating over all the pins.
 40u" nickel underplating overall. (ASTM B 733)

Housing material: grass filled plastics; Black UL94V-0
 Cap material: grass filled plastics; White UL94V-0

IR soldering, Peak temperature: 260±5°C, 5s ;

Ordering Information

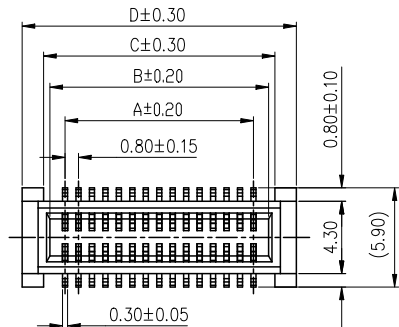
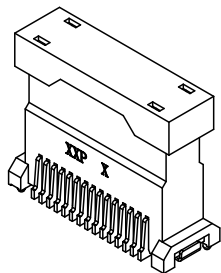
3618 - P XXX - 130 M XX R 01

No. of pins:
 030=30Pin
 120=120Pin
 (See Table 1)

Housing height:
 130=13.05mm

Packing:
 R=Tape&Reel+cap

Contact plating:
 G1=3u" Gold
 G2=5u" Gold
 G3=10u" Gold
 G4=15u" Gold
 G5=30u" Gold



Recommended P.C.B layout (Top side)
 (PCB board tolerance ±0.05)

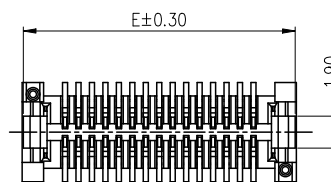
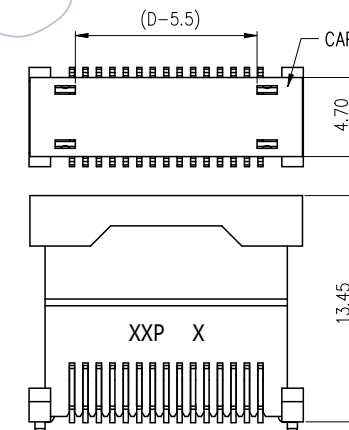
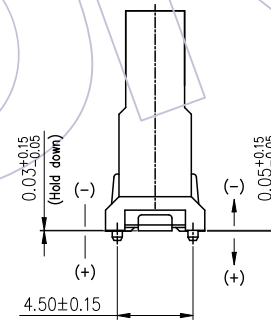
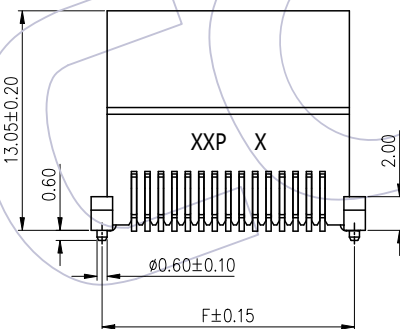
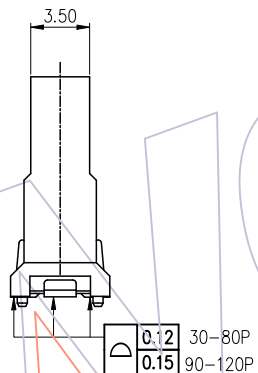
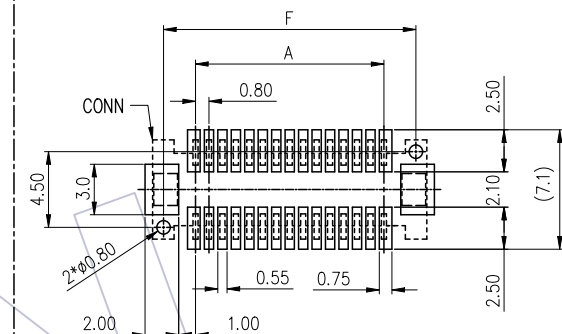


Table 1:

No. of pins:	A	B	C	D	E	F
30	11.2	13.0	13.75	16.3	16.16	15.0
40	15.2	17.0	17.75	20.3	20.16	19.0
50	19.2	21.0	21.75	24.3	24.16	23.0
60	23.2	25.0	25.75	28.3	28.16	27.0
80	31.2	33.0	33.75	36.3	36.16	35.0
100	39.2	41.0	41.75	44.3	44.16	43.0

Rev	Date	Modification	Change	Operation		Draw	Date	FIT	Part No.
				Angle	TOL				
A0	2022/10/20	NEW	-----	x.X	±0.40	XIAOBING YE	2022/10/20	mm	3618-PXXX-130MXXR01
				x.XX	±0.35	Check	Date	A4	Title: 0.8mm Board To Board conn. Plug SMT Type H=13.05mm
				x.XXX	±0.15	Approve	Date	1/1	Customer No.
				DIM	TOL			PROJ.	

WCON

Http: www.wcon.com

WCON-Dongguan
 Tel: +86 769 85358920
 Fax: +86 769 85358915
 E-mail: sales@wcon.com

WCON-Kunshan
 Tel: +86 512 57468408
 Fax: +86 512 57468468
 E-mail: salesks@wcon.com